

PANELUX JUNIOR 40W

The Panelux Junior is an ultra high efficiency, fully sealed, rugged LED light fixture with autonomous integrated intelligence designed for extreme environments.



Light Source:

Light Source:	240 x Luxeon LED
Light Output:	5,600 lm nominal
LED Efficacy:	188 lm/W nominal
Lamp Power:	34W
Operating Life:	> 60,000 hrs L90 Projected L70 > 250k hrs
Colour Temp:	White 5000K nom.
Colour Rendering:	80 CRI
Output:	No UV or IR
Dimming:	0-100%

Power Supply:

Power Supply:	Integrated within fitting
Power Factor:	98% throughout dimming
Supply Efficiency:	~98%
Input Power:	40W (36.8W @ 24V AC)
Input Voltage:	240V AC (or 24V AC/DC)
THD	<20%
MTBF	3,500,000 hrs @ 25°C
Connector:	IP68 LTW Type A

Environmental:

Surge Protection:	Varistor 1.2kA 28J
Ambient Temp:	-40°C to 50°C
Operating Temp:	52°C at 25°C ambient
Fixture Efficacy:	140 lm/W Typical
Rating:	IP67

Control:

Embedded within each fixture is an autonomous controller that interacts with nearby fittings to optimise power savings while maintaining excellent illumination. No additional control system is required.

Optional Sensing of:

- Forklifts – RF Beacon
- General Motion - Microwave
- Ambient Temperature
- Ambient Light
- Hazardous Vapour

Applications:

Service Station Forecourts, Under Canopy, Food Processing, Tunnel Lighting, Car Parks, Coolstore, General Industrial Lighting.

Installation:

Flush mount or cavity mount.

Mechanical:

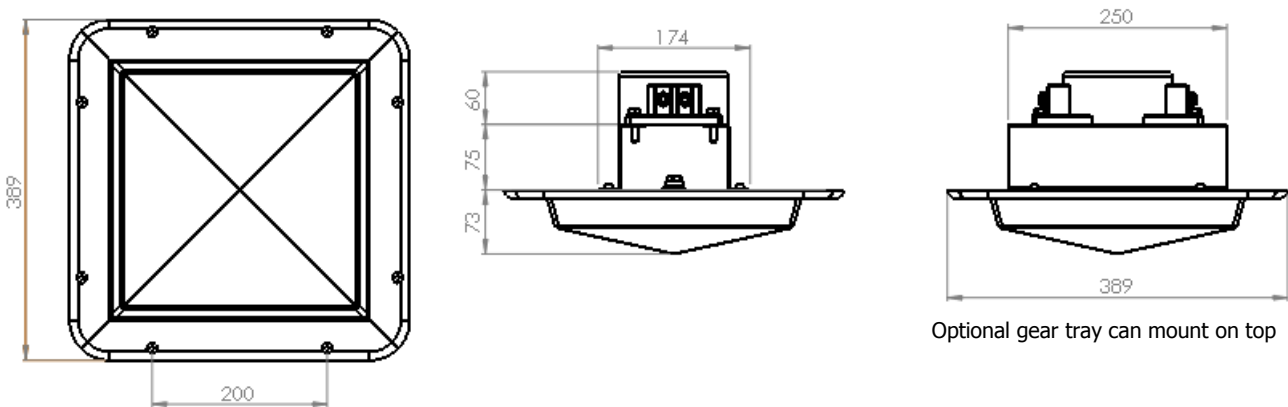
The housing is fully corrosion resistant in Aluminium & Stainless Steel with a design life of 20 years.

Body material: Aluminium

Length / Width : 389 x 389mm

Weight: Approx 2.5kg

PANELUX JUNIOR 40W



Features

Highly Efficient: 5,600 lumens from 40W for 140lm/W fixture efficacy.

Extreme Operating Life: > 60,000 hrs at 90% lumen maintenance with MTBF of 3,500,000 hrs at 25°C.

Extreme Operating Conditions: Runs down to -40°C with instant start.

Plug and Play: Self contained, self configuring network. No supporting cabling or infrastructure required. Provides data transport for additional sensors.

Forklift proximity detection: Senses forklift proximity and illuminates a working area around the forklift. Static or fully dynamic (under motion).

Occupancy Sensing: Integrated microwave sensor option allows adaptive lighting strategies and occupancy monitoring.

Daylight Harvesting: System wide detection of ambient light conditions reduces amount of "fill in" lighting required.

Task Tuning: Individual (or groups) of luminaires can maintain different target light levels to suit tasks being performed in their areas.

Zone Control: Luminaires can be grouped into zones for grouped control strategies (for example, loading bay vs aisle racking)

Addressable: Luminaires are uniquely addressable for unique control strategies (or sensor monitoring) independent of electrical wiring.

Continuous Dimming: Light level from 0-100% in 200+ steps for smooth lighting transitions. Ramp rates fully programmable.

Safe: No glass, mercury, UV or IR. No hazardous waste – recyclable.

Future Proof: Meets or exceeds DesignLights Consortium Intelligent Controls requirements 2016

Local Support: Designed & Manufactured in New Zealand